



US00D497610S1

(12) **United States Design Patent**  
**Graber**

(10) **Patent No.:** **US D497,610 S**

(45) **Date of Patent:** **\*\* Oct. 26, 2004**

(54) **PERSONAL MONITOR LOUDSPEAKER**

D443,604 S \* 6/2001 Levine ..... D14/214  
D452,854 S \* 1/2002 Silverstein et al. .... D14/214  
D482,344 S \* 11/2003 Green ..... D14/214

(76) Inventor: **Curtis H. Graber**, 9301 Roberts Rd.,  
Woodburn, IN (US) 46797

\* cited by examiner

(\*\*) Term: **14 Years**

*Primary Examiner*—Nanda Bondade  
(74) *Attorney, Agent, or Firm*—Paul W. O'Malley; Susan L. Firestone

(21) Appl. No.: **29/188,988**

(22) Filed: **Aug. 27, 2003**

(57) **CLAIM**

(51) **LOC (7) Cl.** ..... **14-01**

The ornamental design for a personal monitor loudspeaker, as shown.

(52) **U.S. Cl.** ..... **D14/214**

(58) **Field of Search** ..... D14/204, 207,  
D14/209-216, 356; 181/143-144, 147-148,  
150, 157, 198-199, 151, 153; 381/300-302,  
306, 333, 345, 361-364, 386-388, 332,  
336

**DESCRIPTION**

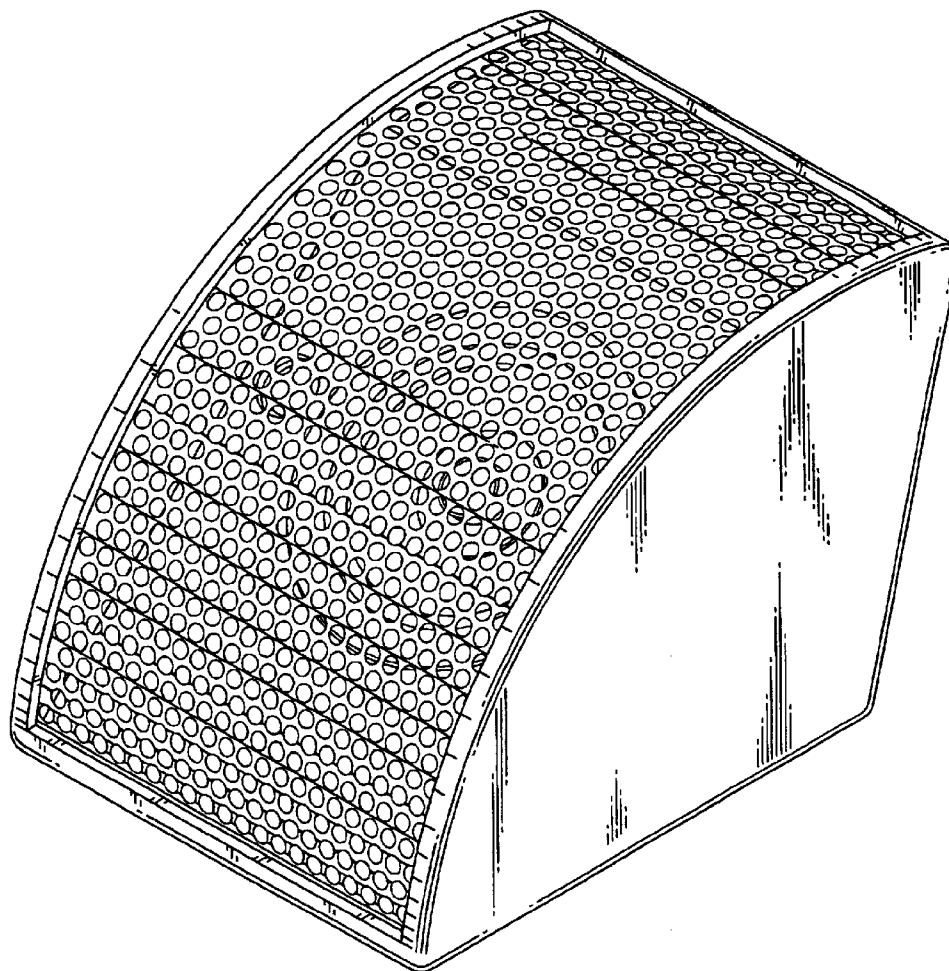
FIG. 1 is a perspective view of a personal monitor loudspeaker showing my new design;  
FIG. 2 is a front elevational view thereof;  
FIG. 3 is a left side elevational view thereof;  
FIG. 4 is a top plan view thereof;  
FIG. 5 is a right side elevational view thereof;  
FIG. 6 is a bottom plan view thereof; and,  
FIG. 7 is a rear elevational view thereof.

(56) **References Cited**

**U.S. PATENT DOCUMENTS**

3,194,339 A \* 7/1965 Pawlowski ..... 181/147  
D387,058 S \* 12/1997 Nudell et al. .... D14/214  
D421,438 S \* 3/2000 Bothe ..... D14/214

**1 Claim, 4 Drawing Sheets**



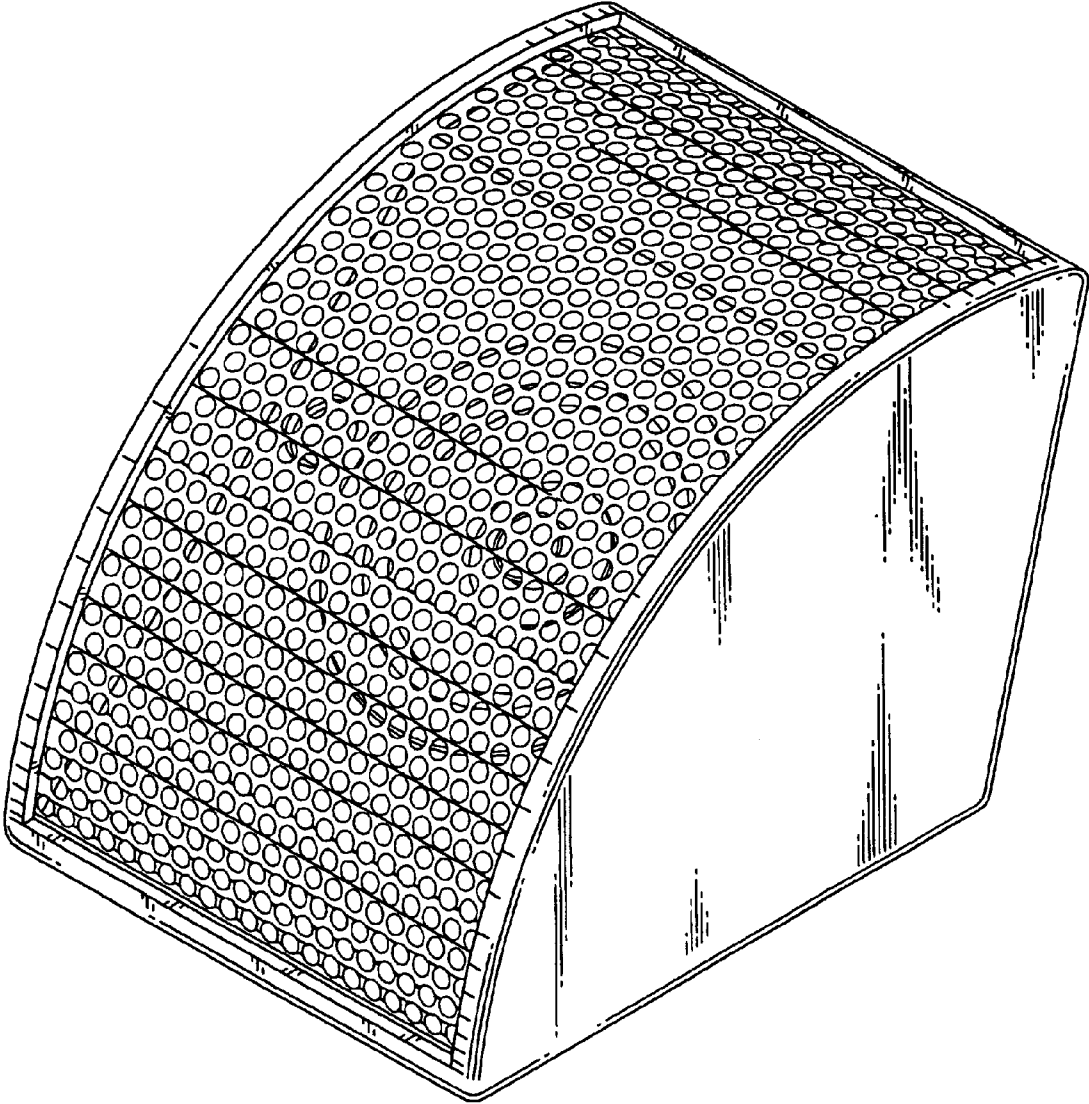


Fig. 1

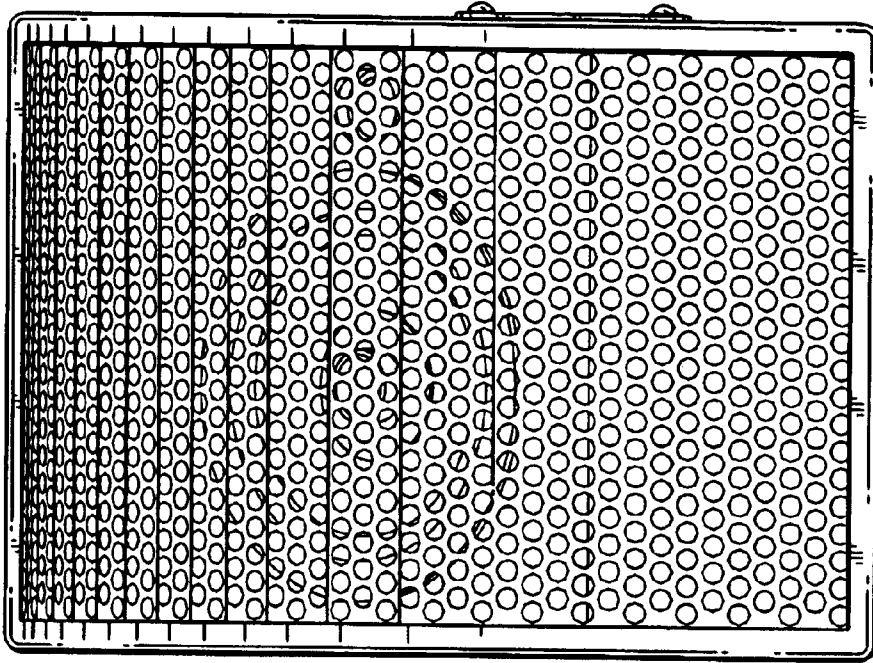


Fig. 2

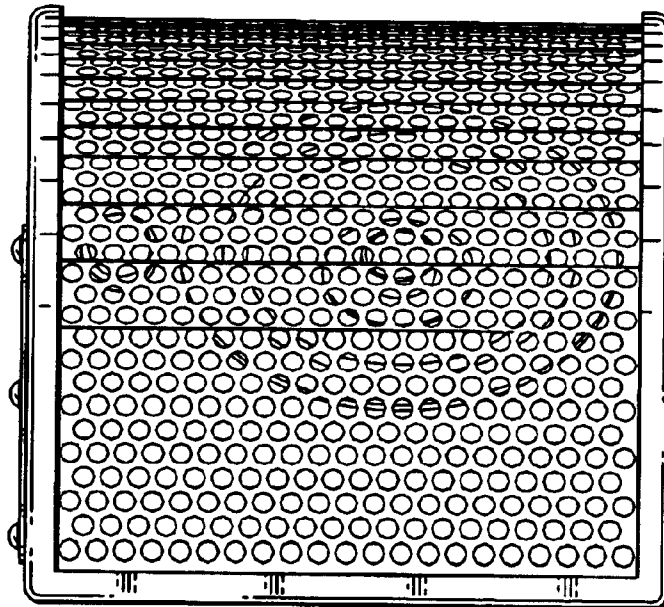
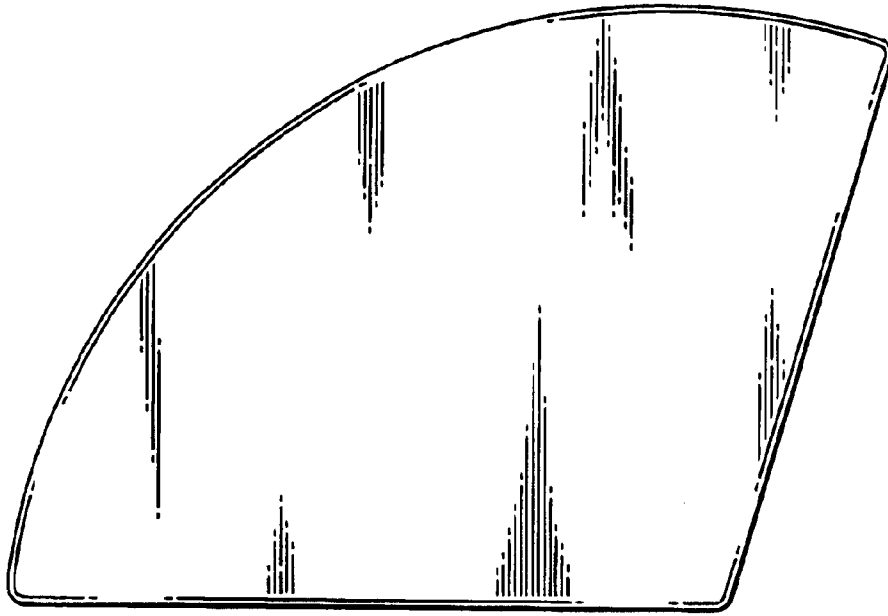
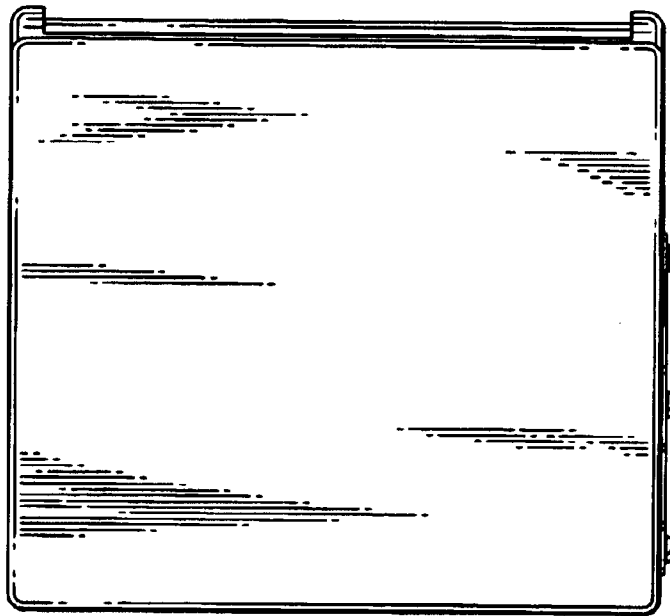


Fig. 3



*Fig. 4*



*Fig. 5*

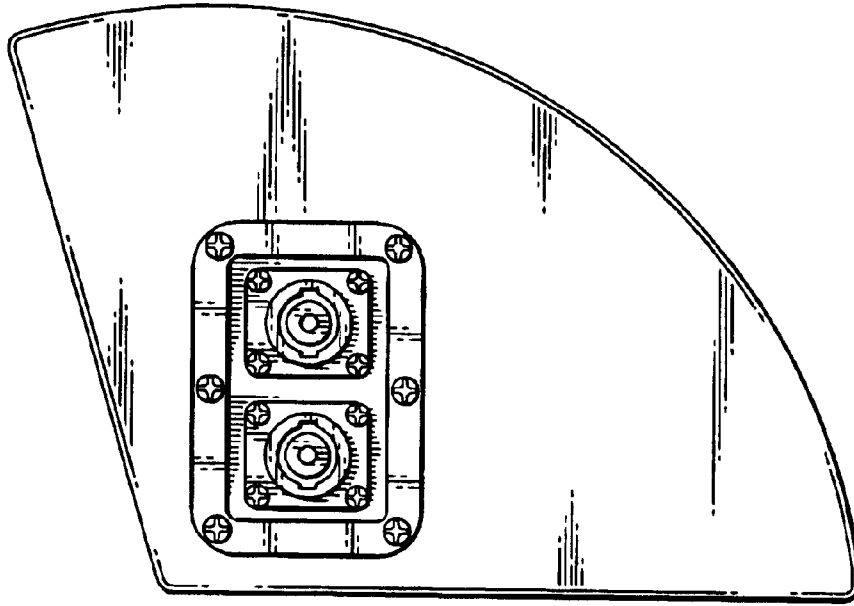


Fig. 6

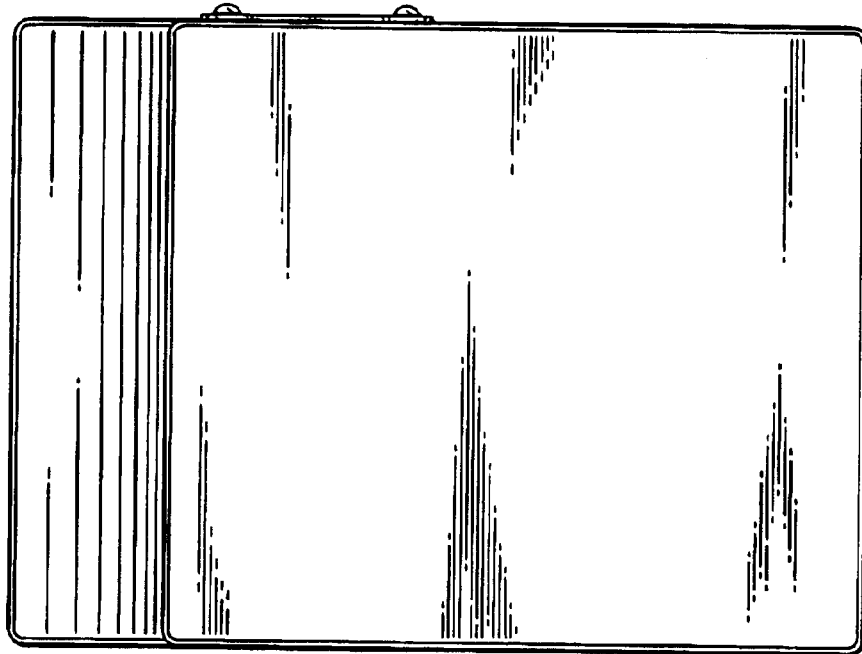


Fig. 7